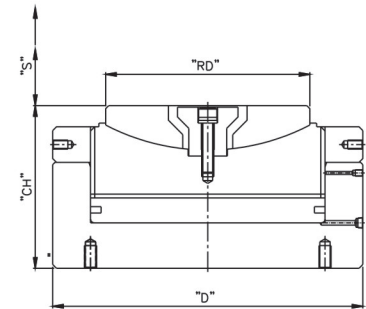


# Threaded Ram Load Return Hydraulic Pancake Jack (PCT-Series)

Capacity : 50-500 Stroke : 30-40 mm Working : 700 bar (Max)

MODEL NO.	Capacity	Closed Ht. 'CH'	Stroke 'S'	Ram Dia 'RD'	Outer Dia 'D'	Oil volume	Approx Weight	Suitable Hand Pump
	tons.	mm.	mm.	mm.	mm.	cc.	kgs.	
PCT-50/30	50	110	30	100	140	300	10	PHP-200/2
PCT-100/30	100	125	30	140	175	588	20	PHP-400/3N
PCT-150/30	150	140	30	170	225	867	35	PHP-400/3N
PCT-200/40	200	150	40	200	255	1600	50	PHP-500/6
PCT-250/40	250	170	40	220	285	1935	68	PHP-500/6
PCT-300/40	300	180	40	240	315	2305	92	PHP-500/6
PCT-400/40	400	200	40	280	355	3135	126	PHP-500/6
PCT-500/40	500	215	40	310	405	3845	189	PHP-500/6



## Features / Benefits :

- Compact, pancake design, heat treated alloy steel body.
- Hard chrome plated ram to resist scoring and corrosion. • Grooved ram acts as integral saddle.
- Single acting, load return, threaded ram and mechanical safety lock-nut to sustain load on lock nut for longer period.
- High pressure long life seals. • Port Size 1/4" and 3/8" NPT.
- QCC with Plastic dust cap. Aluminum Dust Cap on Request.
- Customised capacity and stroke on request

## Application :

Pancake jacks are designed specifically where space is a constraint. Ideally used where no other cylinders will fit for lifting, lowering, spreading of structures, bridges, heavy machinery etc.



- To reduce the closed height of the jack, there is no seal box in PCP & PCT series jacks. One has to monitor the red line marking provided on the ram for max. lifting stroke, since there would be a chance of ram coming out of the cylinder which would result in an accident or failure of Jack.
- Place rigid base below the Jack.

