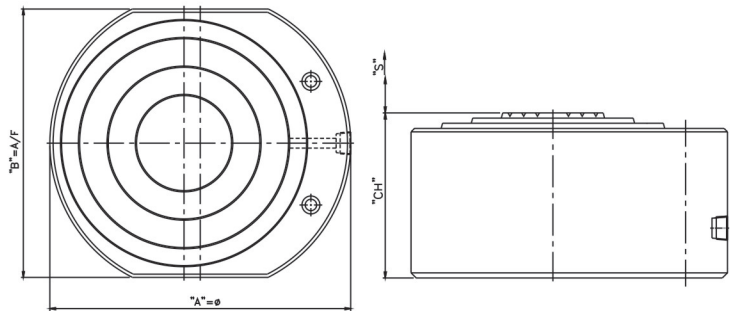
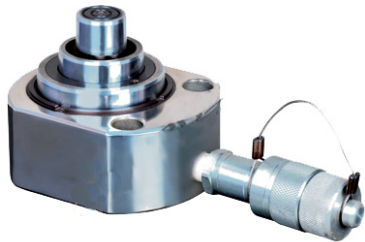


HYDRAUMECH®

Ultra Low Height Load Return Telescopic Flat Jack (TFJ-Series)

Capacity :-5-82 Stroke:-17-40 mm Working :-700 bar (Max)



Model No.	Closed Height 'CH'	Capacity			Capacity at Final Stage	Stroke			Total Stroke	Ram Dia	Over all Dim		Total Oil Volume	Approx Wt	Suitable Hand Pump
		First Stage	Second Stage	Third Stage		First Stage	Second Stage	Third Stage			OD "A"	A/F "B"			
	mm.	tons.	tons.	tons.	tons.	mm.	mm.	mm.	mm.	mm.	mm.	mm.	cc.	kgs.	
TFJ-5/17	45	12.5	5.0	-	5.0	11	6	-	17	25	85	62	24.1	1.6	PHP-200/2
TFJ-5/25	54	26.0	12.5	5.0	5.0	11	8	6	25	25	107	85	61.0	8.0	PHP-200/2
TFJ-12.5/19	55	26.0	12.5	-	12.5	11	8	-	19	40	107	85	56.8	7.2	PHP-200/2
TFJ-12.5/40	89	82.0	35.0	12.5	12.5	16	13	11	40	40	175	148	294.6	15.0	PHP-200/2
TFJ-26.5/28	75	57.0	26.5	-	26.5	17	11	-	28	60	145	125	334.7	8.5	PHP-200/2
TFJ-26.5/32	96	105.0	57.0	26.5	26.5	16	10	6	32	60	185	165	358.5	17.6	PHP-200/2
TFJ-35/29	90	82.0	35.0	-	35.0	16	13	-	29	70	175	152	305.3	15.0	PHP-200/2
TFJ-56/26	96	106.0	56.0	-	56.0	16	10	-	26	80	190	170	376.7	41.0	PHP-400/3
TFJ-82/27	114	158.0	82.0	-	82.0	16	11	-	27	100	220	200	610.5	68.2	PHP-400/3

Features /Benefits

- Compact and ultra low height telescopic design ,heat treated alloy steel body.
- Hard chrome plated rams to resist scoring and corrosion
- Single acting load return. High pressure long life seals.
- Top mounting holes for easy fixturing. Grooved ram acts as intergral saddle.
- 'O' Ring to arrest ingress of foreign particles. • Port size 1/4 inch or 3/8 inch NPT.
- QCC with Plastic dust cap.Aluminium dust Cap on Request.

Application :

Powerjac's new ultra low height telescopic flat jack are specially designed to work in confined space. The user get longer stroke and can save time effort and eliminate the usage of temporary support during lifting of longer stroke.

TFJ Series available in 2 stage & 3 stage lifting max 40 mm.

Ideally used for lifting of cranes and heavy machinery etc.